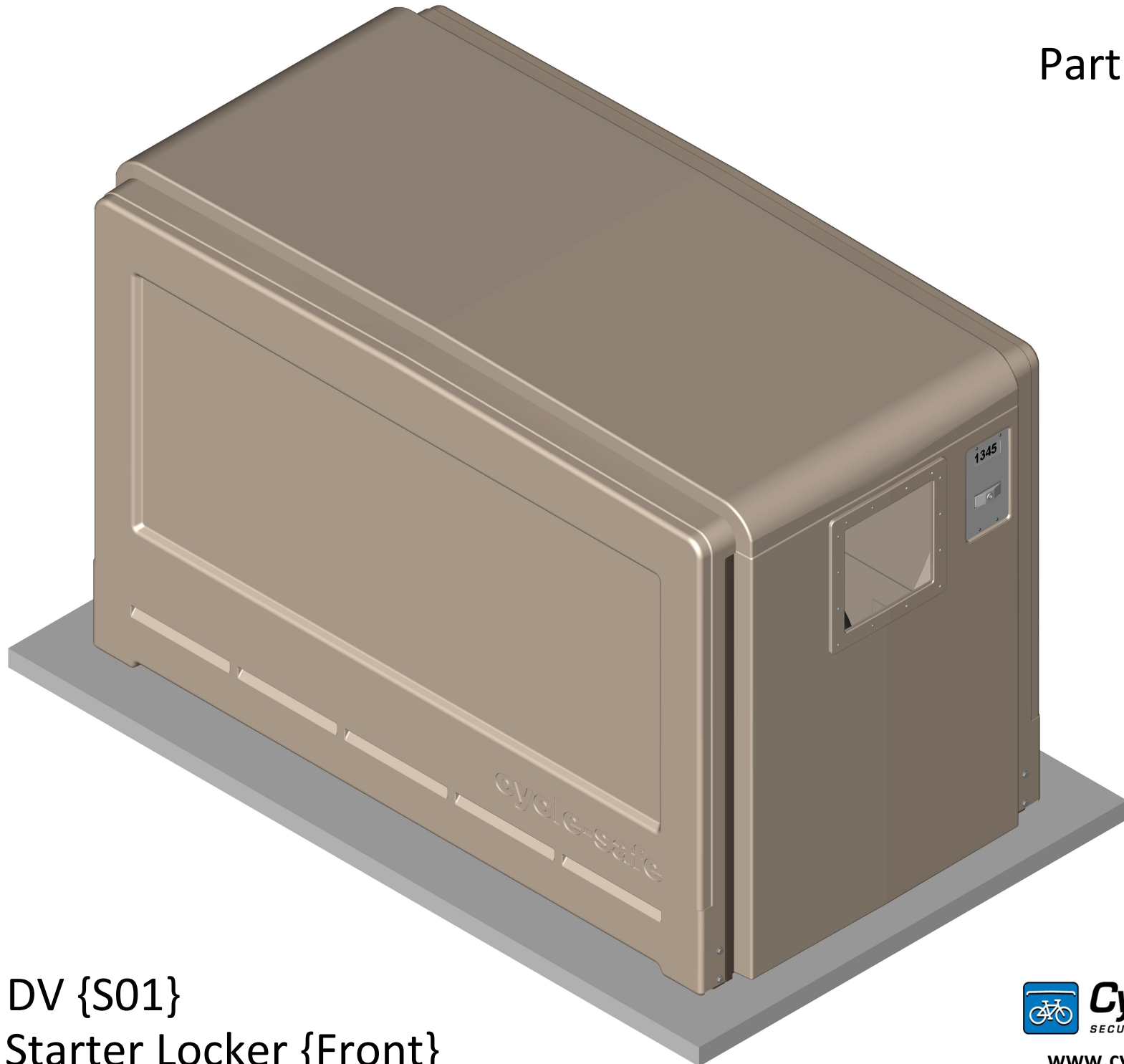
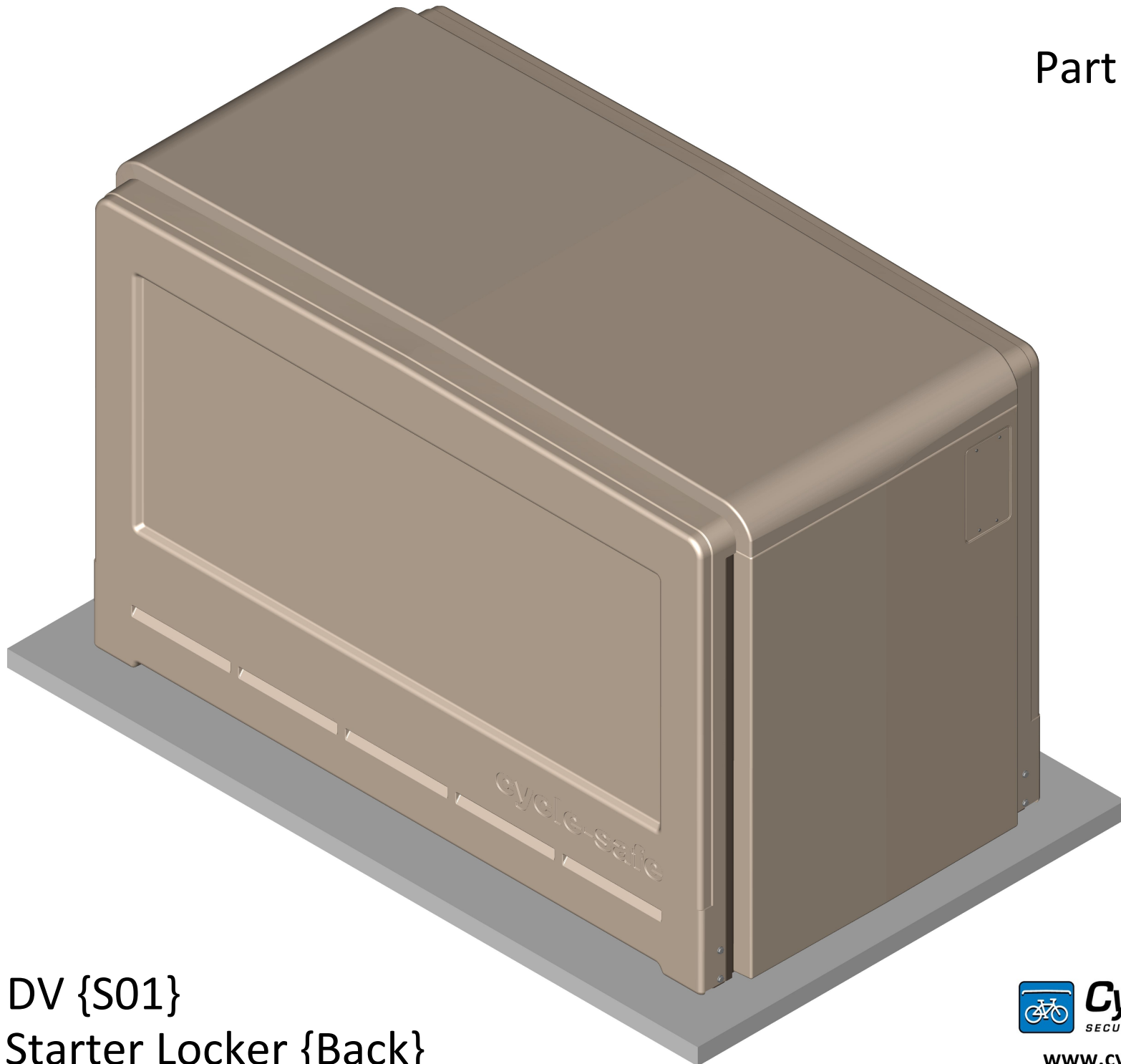


Part #10018



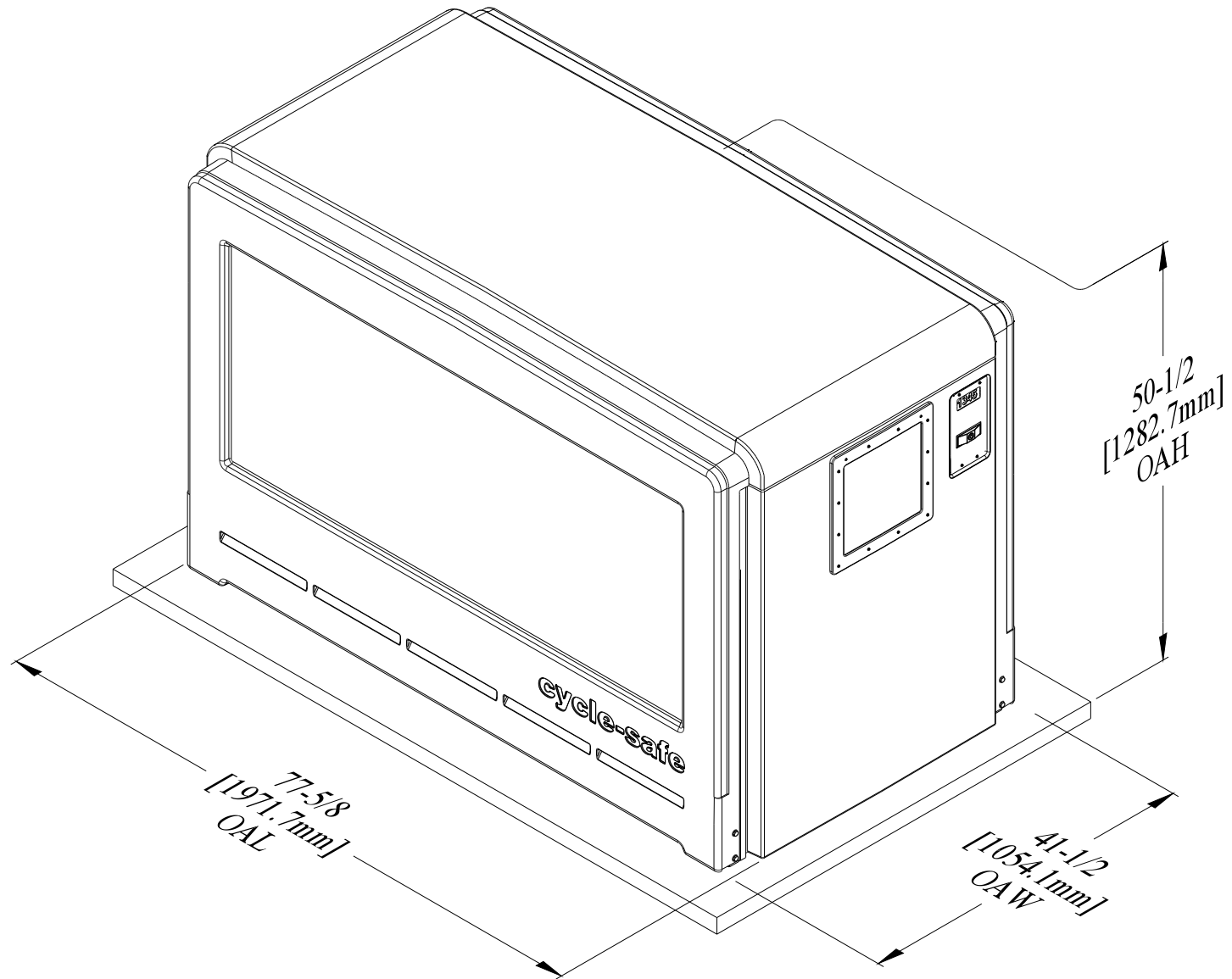
ProPark DV {S01}
{1-Bike} Starter Locker {Front}

Part #10018



ProPark DV {S01}
{1-Bike} Starter Locker {Back}

Part #10018

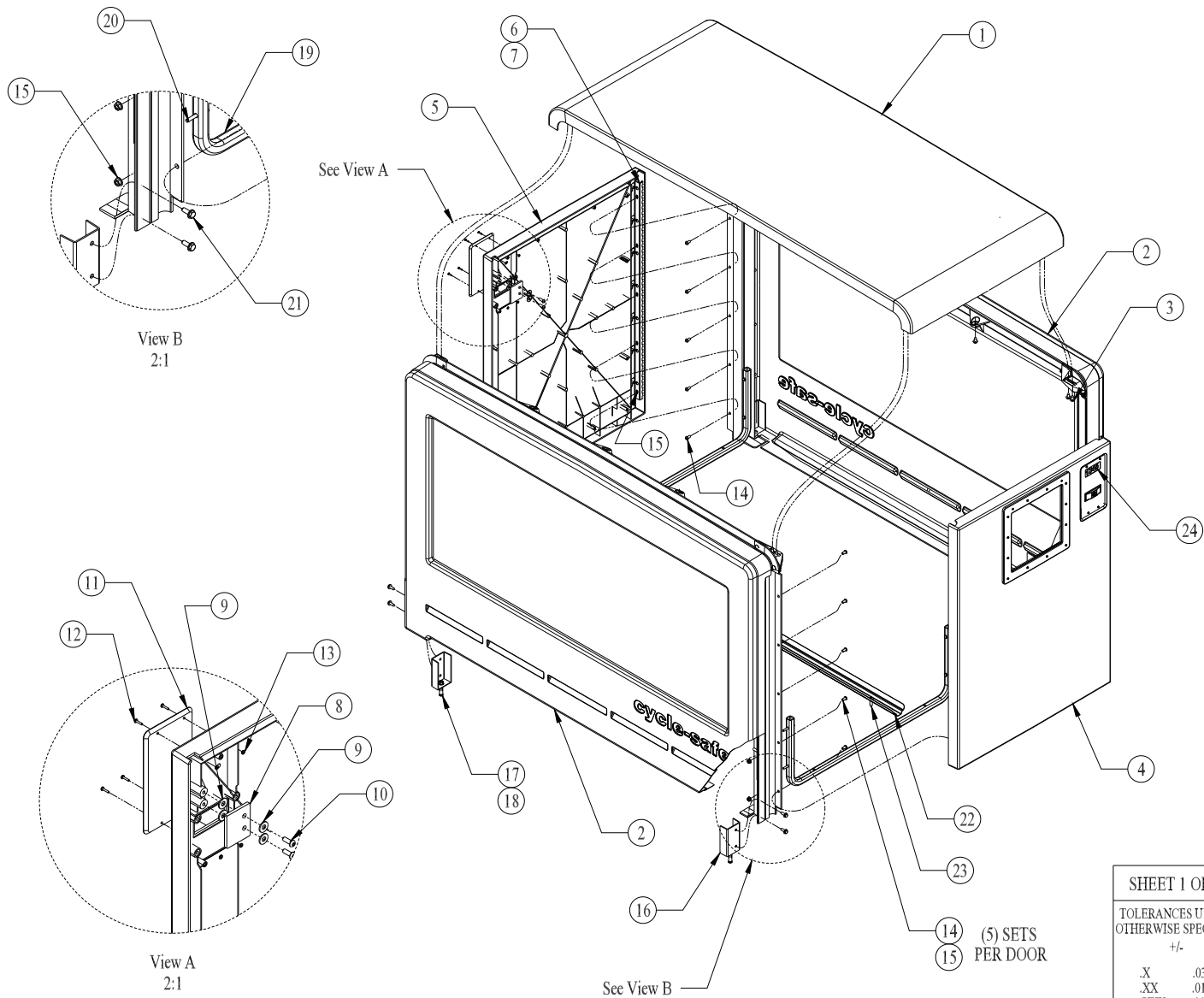


ProPark DV {S01}
{1-Bike} Starter Locker {Dims}

Part #10018




ProPark DV {S01}
{1-Bike} Starter Locker {Open}



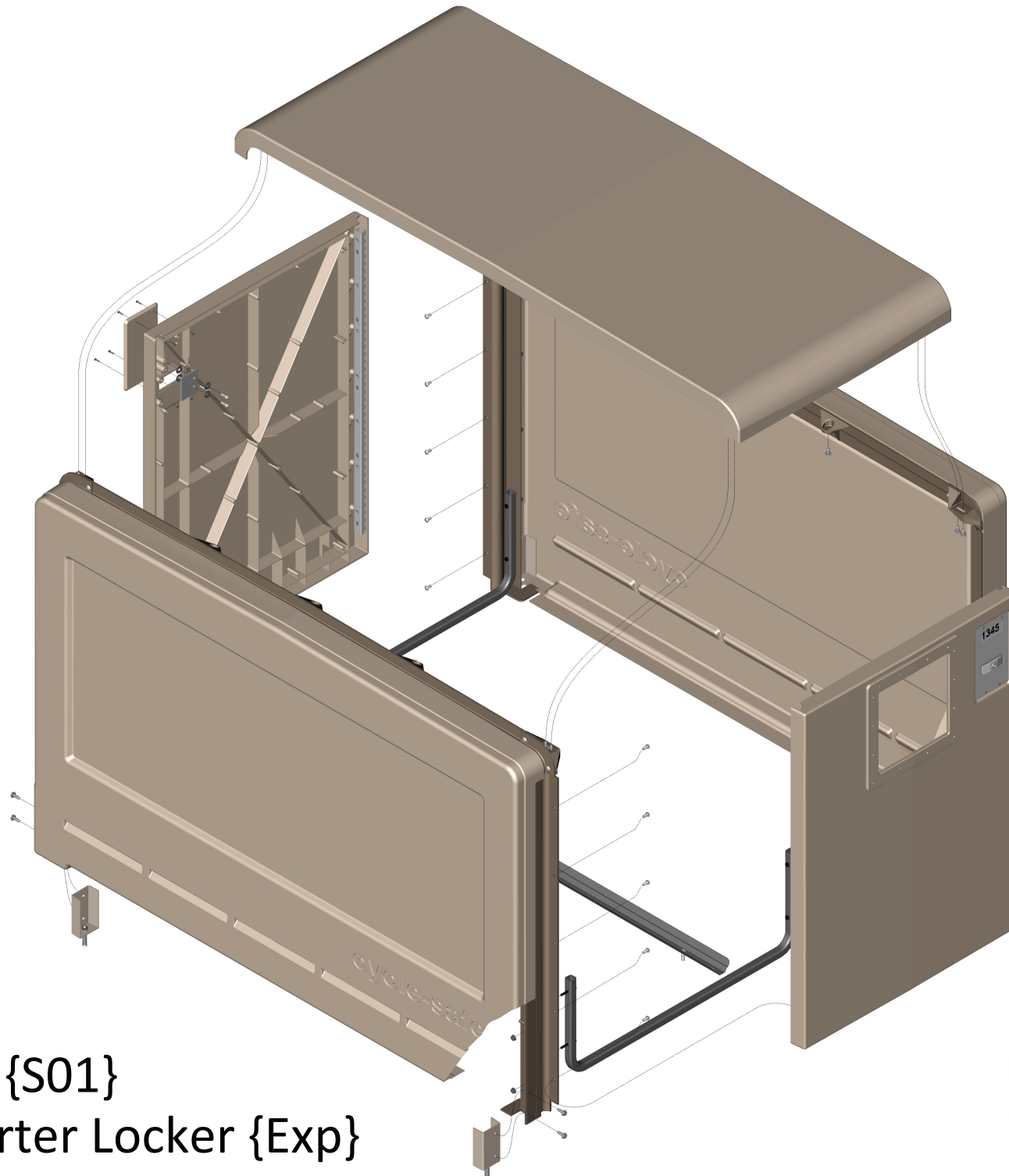
| ITEM | QTY | DESCRIPTION | PART NO. |
|------|-----|--|----------|
| 1 | 1 | TOP PANEL | 10301 |
| 2 | 2 | END PANEL (STANDARD) | 10960 |
| 3 | 14 | 5/16"-18NC x 1-1/4" LG. SHMS | 10222 |
| 4 | 1 | DOOR (LOWER) ASSEMBLY (VIEW-THRU) | 10714 |
| 5 | 1 | DOOR (LOWER) PANEL (STANDARD) | 10700 |
| 6 | 1 | HINGE ASSEMBLY | 10706 |
| 7 | 7 | 1/4-10NC x 1/2" PHILLIPS PAN HEAD SCREW | 10705 |
| 8 | 2 | STATIONARY LATCH | 10742 |
| 9 | 8 | 7/16" ID x 15/16" OD S/S FLAT WASHER | 10832 |
| 10 | 4 | 5/16-18NC x 2" FLANGE HEAD SCREW (ZINC) | 10833 |
| 11 | 1 | DOOR (THICK) COVER PLATE | 11702 |
| 12 | 4 | 3/16" x 3/8" x 1/2" LG. S/S POP RIVET | 10928 |
| 13 | 4 | 3/16" S/S FLAT WASHER | 10929 |
| 14 | 10 | 5/16-18NC x 3/4" LG. HHCS (ZINC) | 10219 |
| 15 | 18 | 5-16-18NC WHIZ NUT (ZINC) | 10304 |
| 16 | 4 | LEVELING PLATE | 10216 |
| 17 | 4 | 3/8-16NC x 1-7/8" ANCHOR BOLT | 10211 |
| 18 | 4 | 3/8" S/S FLAT WASHER | 10909 |
| 19 | 2 | INTERIOR DOOR SUPPORT | 10755 |
| 20 | 8 | 5/16-18NC x 2" LG. HHCS (ZINC) | 11106 |
| 21 | 8 | 1/4-20NC x 1-1/4" LG. SELF-TAPPING SCREW | 10217 |
| 22 | 1 | BIKE TRACK | 10410 |
| 23 | 3 | 3/8-16NC LAG BOLT ASSEMBLY | 10415 |
| 24 | 1 | NUMBER PLATE | 10703 |
| 25 | 1 | T40 - TORX BIT | 10801 |

NOTES:

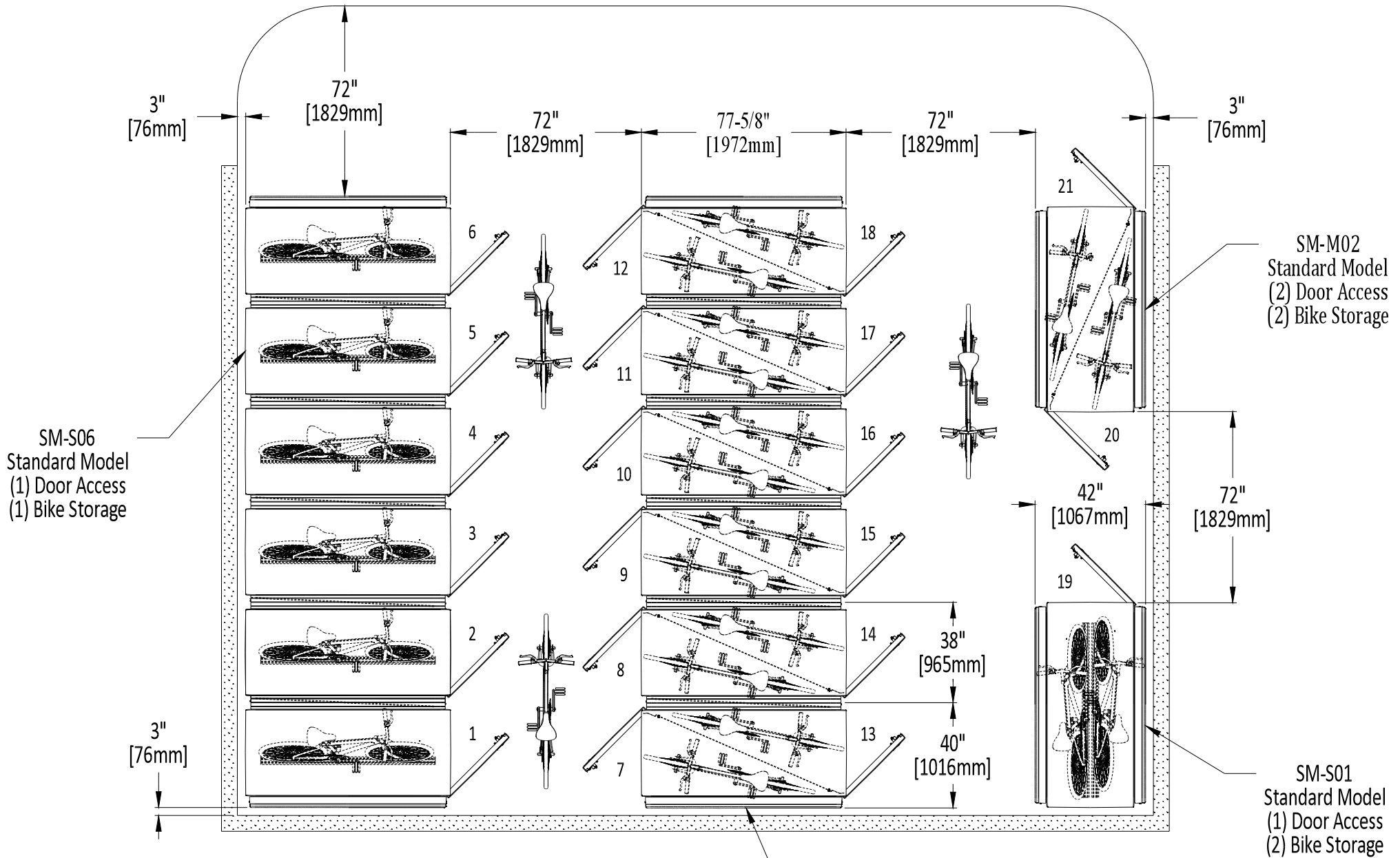
1. ALL MATERIALS MUST BE CLEAN AND FREE OF MILL LUBRICATION
2. ANY BLEMISHES OR RUST WILL NOT BE ALLOWED ON COMPLETED PRODUCTS

| | | | | |
|--|-------------|---|------------------------|----------|
| SHEET 1 OF 1 | | A | RELEASE FOR PRODUCTION | 08/10/11 |
| REV | DESCRIPTION | | | DATE |
| TOLERANCES UNLESS OTHERWISE SPECIFIED: | | PROPARK ~ DV (S01) (SINGLE-SIDED) LOCKER | | |
| +/- | |  947 FOREST HILL AVE GRAND RAPIDS, MI 49546 www.cyclesafe.com | | |
| .X | .030 | | | |
| .XX | .010 | | | |
| .XXX | .005 | | | |
| ANGLE | 1/2" | R.E.S. | DATE | |
| | | APPROVED | DATE | |
| | | (DV) LOCKER (LOWER) TIER ASSEMBLY | | 10018 |
| | | | | REV A |

Part #10018



ProPark DV {S01}
{1-Bike} Starter Locker {Exp}



ProPark {Locker} Layout Clearances & Capacities

SM-M12
Standard Model
(2) Door Access
(12) Bike Storage



www.cyclesafe.com

CycleSafe {ProPark} DV {1-Door} Bicycle Locker {Measurements}

| Part # | Model & Option Description | {Examples} |
|-----------|---|------------|
| DV-S01 | Door-View Model + (1) Door = (1) Bike per (1) Locker | |
| SM-M02 | Standard Model + (2) Doors = (2) Bikes per (1) Locker | |
| DV-M02 | Door-View + (2) Door Access = (2) Bike Storage | |
| SV-M04 | Side-View + (4) Door Access = (4) Bike Storage | |
| VT-M06 | View-Thru + (6) Door Access = (6) Bike Storage | |
| DT/SM-M24 | Double-Tier {Standard} + (24) Doors = (24) Bike Storage | |

| Model | Name | Description |
|--|-------------|---------------------------|
| SM | Standard | No Windows |
| DV | Door-View | Windows in Doors "Only" |
| SV | Side-View | Windows in Sides "Only" |
| VT | View-Thru | Windows in Doors & Sides |
| DT | Double-Tier | Stacked Lockers & Spacers |
| M02 Locker Dims are 50-1/2" OAH x 42" OAW x 77-5/8" OAL | | |

| Part Number | (2) Door Model / Number of Bicycles | | | | Shipping Weight | |
|-------------|-------------------------------------|----|----|----|-----------------|------|
| | SM | DV | SV | VT | LB | KG |
| M02 | 02 | 02 | 02 | 02 | 450 | 204 |
| M04 | 04 | 04 | 04 | 04 | 760 | 345 |
| M06 | 06 | 06 | 06 | 06 | 1120 | 508 |
| M08 | 08 | 08 | 08 | 08 | 1350 | 612 |
| M10 | 10 | 10 | 10 | 10 | 1740 | 789 |
| M12 | 12 | 12 | 12 | 12 | 1970 | 894 |
| M14 | 14 | 14 | 14 | 14 | 2280 | 1034 |
| M16 | 16 | 16 | 16 | 16 | 2590 | 1175 |
| M18 | 18 | 18 | 18 | 18 | 2900 | 1315 |
| M20 | 20 | 20 | 20 | 20 | 3310 | 1501 |
| M22 | 22 | 22 | 22 | 22 | 3590 | 1628 |
| M24 | 24 | 24 | 24 | 24 | 3870 | 1755 |

| Part Number | Model | Shipping Weight | |
|-------------|-------|-----------------|------|
| | DT/ | LB | KG |
| M04 | 04 | 912 | 414 |
| M08 | 08 | 1544 | 700 |
| M12 | 12 | 2276 | 1032 |
| M16 | 16 | 2748 | 1246 |
| M20 | 20 | 3540 | 1605 |
| M24 | 24 | 4012 | 1820 |
| M28 | 28 | 4644 | 2106 |
| M32 | 32 | 5276 | 2393 |
| M36 | 36 | 5908 | 2680 |
| M40 | 40 | 6740 | 3057 |
| M44 | 44 | 7312 | 3317 |
| M48 | 48 | 7884 | 3576 |

| Row Length | |
|------------|------|
| IN | CM |
| 43 | 109 |
| 81 | 206 |
| 119 | 302 |
| 157 | 399 |
| 195 | 495 |
| 233 | 592 |
| 271 | 688 |
| 309 | 785 |
| 347 | 881 |
| 385 | 978 |
| 423 | 1074 |
| 461 | 1171 |

| Part Number | (1) Door Option / Number of Bicycles | | | | Shipping Weight | |
|-------------|--------------------------------------|----|----|----|-----------------|------|
| | SM | DV | SV | VT | LB | KG |
| S01 | 01 | 01 | 01 | 01 | 393 | 178 |
| S02 | 02 | 02 | 02 | 02 | 646 | 293 |
| S03 | 03 | 03 | 03 | 03 | 949 | 430 |
| S04 | 04 | 04 | 04 | 04 | 1122 | 509 |
| S05 | 05 | 05 | 05 | 05 | 1455 | 660 |
| S06 | 06 | 06 | 06 | 06 | 1628 | 738 |
| S07 | 07 | 07 | 07 | 07 | 1881 | 853 |
| S08 | 08 | 08 | 08 | 08 | 2134 | 968 |
| S09 | 09 | 09 | 09 | 09 | 2387 | 1083 |
| S10 | 10 | 10 | 10 | 10 | 2740 | 1243 |
| S11 | 11 | 11 | 11 | 11 | 2963 | 1344 |
| S12 | 12 | 12 | 12 | 12 | 3186 | 1445 |

| Part Number | Model | Shipping Weight | |
|-------------|-------|-----------------|------|
| | DT/ | LB | KG |
| S02 | 02 | 798 | 362 |
| S04 | 04 | 1316 | 596 |
| S06 | 06 | 1934 | 877 |
| S08 | 08 | 2292 | 1040 |
| S10 | 10 | 2970 | 1347 |
| S12 | 12 | 3328 | 1510 |
| S14 | 14 | 3846 | 1745 |
| S16 | 16 | 4364 | 1980 |
| S18 | 18 | 4882 | 2214 |
| S20 | 20 | 5600 | 2540 |
| S22 | 22 | 6058 | 2748 |
| S24 | 24 | 6516 | 2956 |

| Row Length | |
|------------|------|
| IN | CM |
| 43 | 109 |
| 81 | 206 |
| 119 | 302 |
| 157 | 399 |
| 195 | 495 |
| 233 | 592 |
| 271 | 688 |
| 309 | 785 |
| 347 | 881 |
| 385 | 978 |
| 423 | 1074 |
| 461 | 1171 |